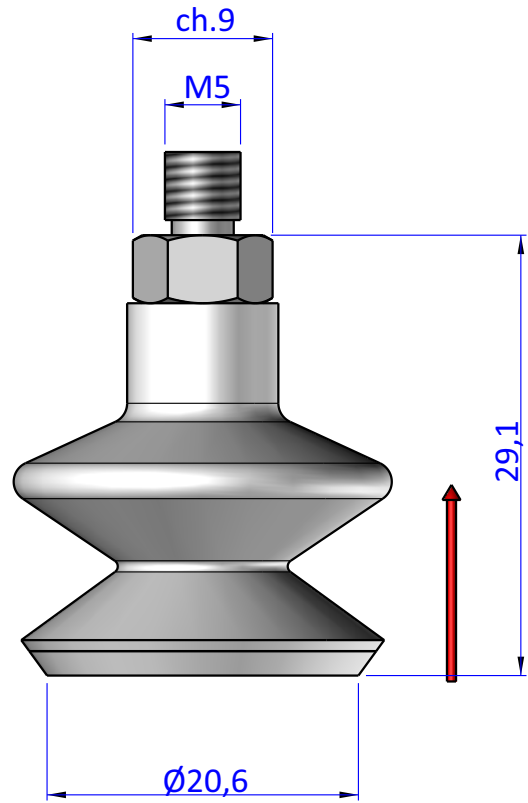
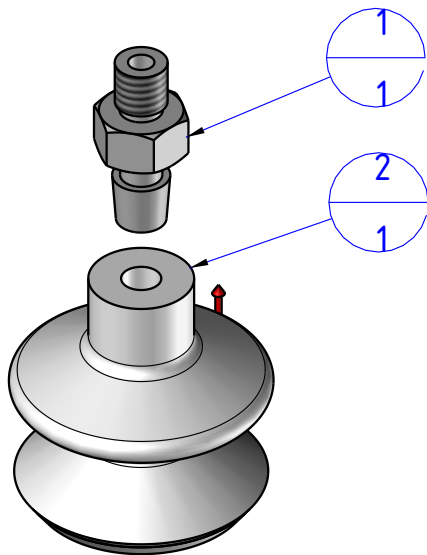


THE PROPERTY OF THE DRAWING IS ESTABLISHED BY LAW. IT IS FORBIDDEN TO PRODUCE OR SHOW IT TO THIRD PART. WITHOUT A WRITTEN AGREEMENT.

Item	Name	Q.ty
1	CA.08.09.004	1
2	CA.08.26.D25.AS	1



DESIGNED FROM <b>FPS Automation</b>		REVIEW <b>A</b>
DATE <b>04/11/2020</b>	WEIGHT <b>0,005kg</b>	
CODE <b>KIT.08.26.D25.4</b>		

Format **A4**

**UNI 936-76**

GENERAL TOLERANCE

UNI - ISO 2768

CLASSE f

DESCRIPTION

**KIT.08.26.D25.4**